
BuzziSpark

Product Specification Sheet

This document contains technical information about the BuzziSpark



www.buzzi.space







A comfy escape with a twist, pulling you out of a stressful moment

BuzziSpark invites you to relax and observe in silence what happens in your surroundings. But it holds a surprise... Until you plunge yourself in its cocoon, you won't know 'who' or 'if' someone is sharing the same experience. You may run into another nomad with another story looking to escape from the every day and make a new connection. The magic of BuzziSpark lies in the allure of the unknown – the surprise of not knowing who you'll meet around the corner.

Design by Alain Gilles

General

-  Original AG103 | AG102
Sofa AG112 | AG111
 - Frame in Powder Coated Metal – RAL 9005
 - Seat cushions: Fillings : polyether foam and polyester fiberfill
Sew finishing: regular seam
 - Back and side cushions against Shield: Fillings : polyether foam, polyester fiberfill
Sew finishing: tube piping
 - Comfort and decorative cushions: Fillings : polyether foam and polyester fiberfill
Sew finishing: tube piping
-  Acoustic Shields: Core: Plywood 1,8 cm | 0.71"
 - Cover : foam, fiberfill and fabric
 - Sew finishing: tube piping
 - Suspension frame of high-durability glass fiber reinforced slats
 - Cushions upholstered in: Fabric, Rough, Trevira CS+ | CS, Revive 1, Revive 2, Velvet, Terra, Clara 2, Remix 2, Hero, Tonus 4, Tonus Meadow, Memory 2, Matrix or Leather Vegetal
 - Shields upholstered in: Fabric, Rough, Trevira CS+ | CS, Velvet, Terra, Clara 2, Hero, Tonus 4, Tonus Meadow, Memory 2 or Matrix
-  Dry use
 - Comfort armrest cushions
-  Decorative cushion(s)
 - Anti-theft set for 2 cushions (used for optional armrest cushions or decorative cushions)

Certifications

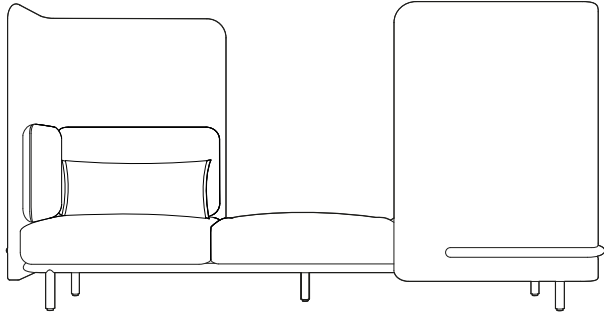
DIN EN 12520: 2016
DIN EN 16139: 2014 Level 1
DIN EN 16139: 2014 Level 2
BIFMA X5.4-2012

Content

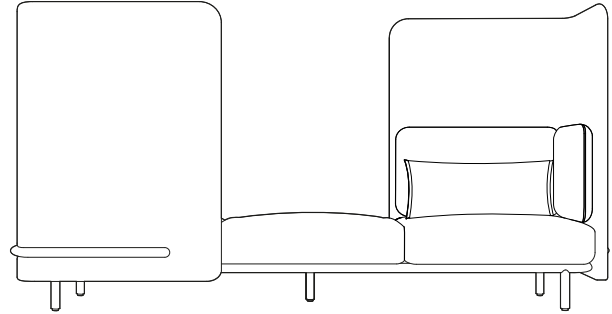
Configurations	3
Components	7
Fabrics	10
Dimensions	14
Acoustics	18

Configurations

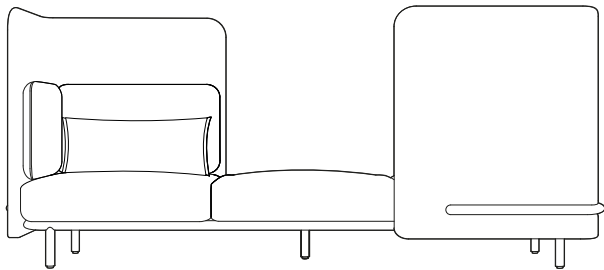
Original AG103



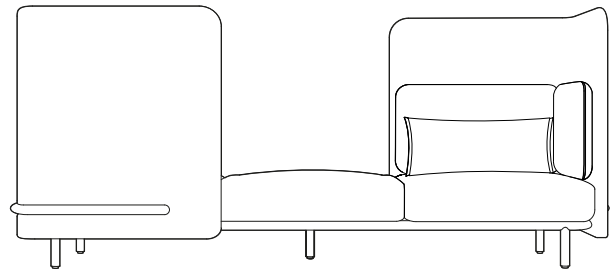
Left Open - High Shields



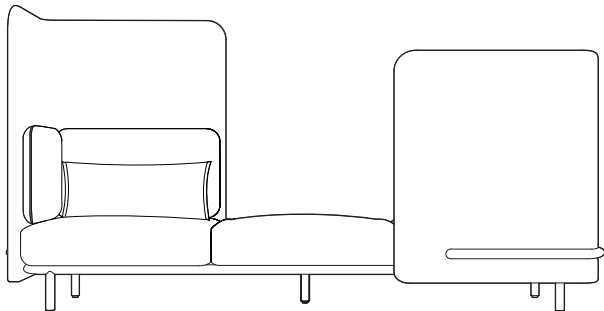
Right Open - High Shields



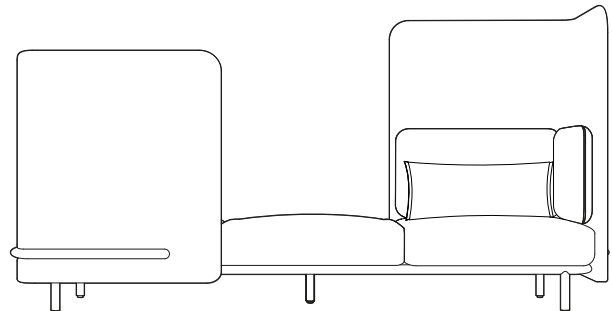
Left Open - Medium Shields



Right Open - Medium Shields



Left Open - High Shield + Medium Shield

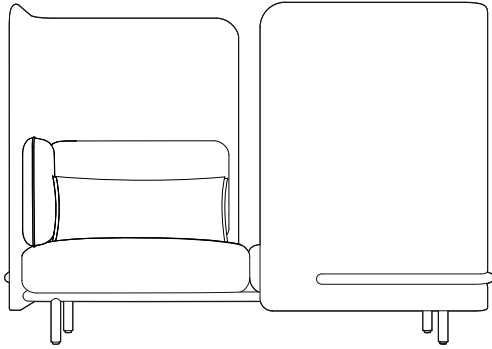


Right Open - Medium Shield + High Shield

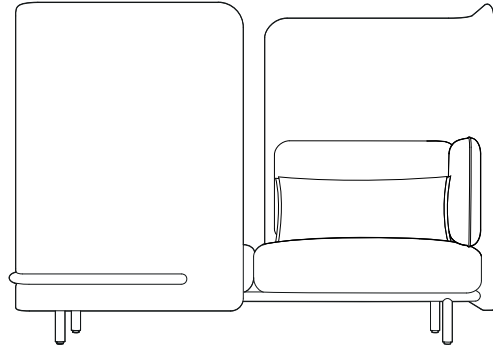
	Medium Shields:	W 324,1 cm	D 100,6 cm	H 140,3 cm
		W 127.60"	D 39.61"	H 55.24"
✘	High Shields:	W 324,1 cm	D 100,6 cm	H 165,3 cm
		W 127.60"	D 39.62"	H 65.08"

	Medium Shields:	155 kg		341.72 lbs
⚖	High Shields:	165 kg		363.76 lbs
	Medium + High Shield:	160 kg		352.74 lbs

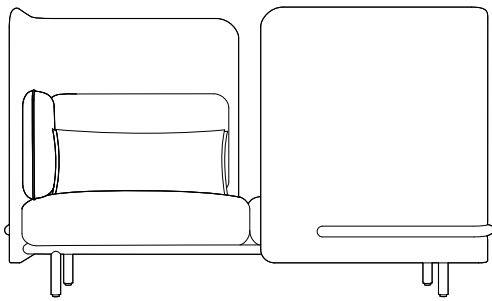
Original AG102



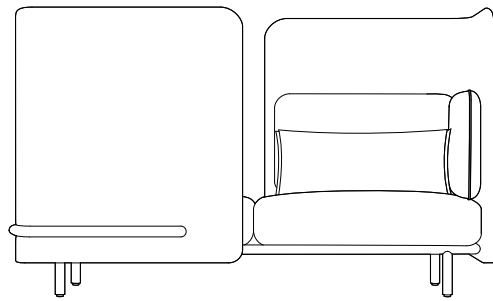
Left Open - High Shields



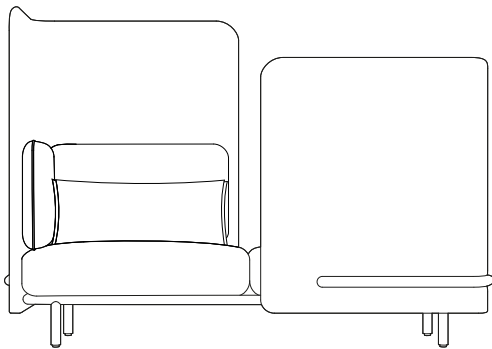
Right Open - High Shields



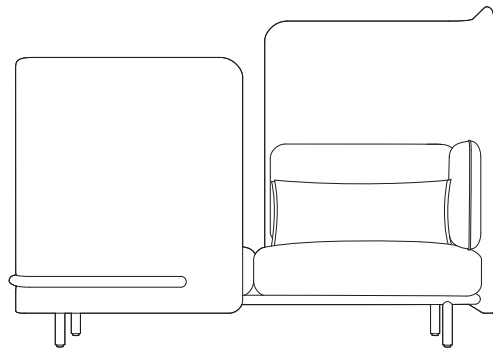
Left Open - Medium Shields



Right Open - Medium Shields



Left Open - High Shield + Medium Shield

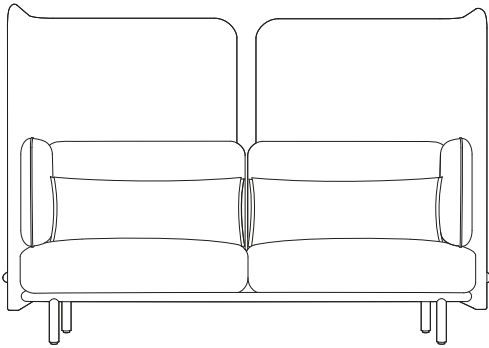


Right Open - Medium Shield + High Shield

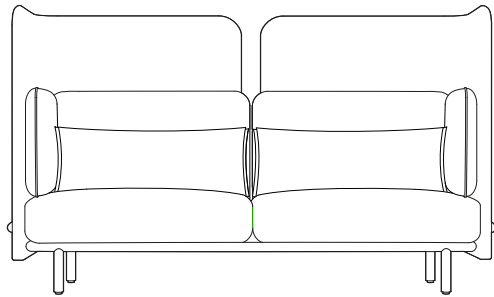
✘	Medium Shields:	W 239,1 cm	D 100,6 cm	H 140,3 cm
		W 94.13"	D 39.61"	H 55.24"
✘	High Shields:	W 239,1 cm	D 100,6 cm	H 165,3 cm
		W 94.13"	D 39.61"	H 65.08"

⚖	Medium Shields:	135 kg 297.62 lbs
	High Shields:	145 kg 319.67 lbs
	Medium + High Shield:	140 kg 308.65 lbs

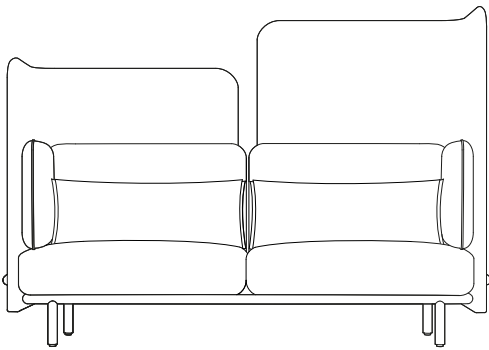
Sofa AG112



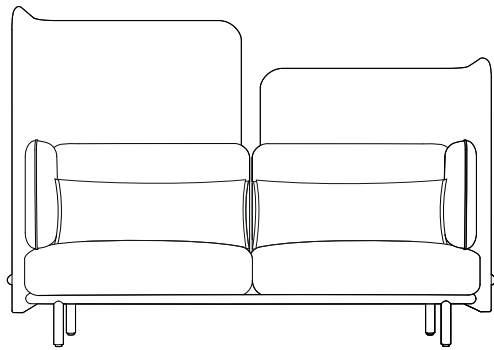
High Shields



Medium Shields



Medium Shield + High Shield

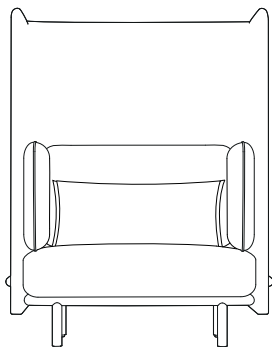


High Shield +Medium Shield

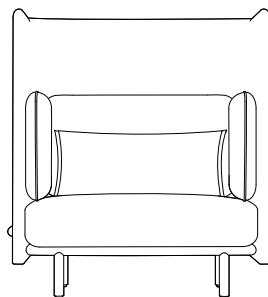
	Medium Shields:	W 239,1 cm	D 95,3 cm	H 140,3 cm
		W 94.13"	D 37.52"	H 55.24"
✘	High Shields:	W 239,1 cm	D 95,3 cm	H 165,3 cm
		W 94.13"	D 37.52"	H 65.08"

	Medium Shield:	135 kg 297.62 lbs
⚖	High Shield:	145 kg 319.67 lbs
	Medium + High Shield:	140 kg 308.65 lbs

Sofa AG111



High Shield



Medium Shield

	Medium Shield:	W 131,3 cm	D 95,3 cm	H 140,3 cm
		W 51.69"	D 37.52"	H 55.24"
✘	High Shield:	W 131,3 cm	D 95,3 cm	H 165,3 cm
		W 51.69"	D 37.52"	H 65.08"

⚖	Medium Shield:	120 kg 264.55 lbs
	High Shield:	130 kg 286.60 lbs

Components

Shield



The shield is what gives BuzziSpark its unique character. It is the side panel of the sofa, available in different models to create protection at two different heights. For instance, BuzziSpark is available with two shields on one side to create a love seat, or with two shields in opposite directions. The shield has a solid wooden core, surrounded by a layer of acoustic foam and finally upholstered in fabric, thus giving it a soft look and feel.

Shield Cushion



The shield cushion provides comfort to the shield, so you can relax into the acoustic shelter. The shield cushion always comes in the same color as the seating cushion and is fixed with a slider system to the shield. This way, it can easily be detached.

Comfort Back Cushion



One of the characteristics of BuzziSpark is the number of cushions. In combination they create a sense of depth, and the comfort back cushion is no exception. It provides a luxurious feel while softly and comfortably supporting your back. The optional comfort arm cushion always come in the same fabric color.

Seating Cushion



Just like the back cushion, the seating cushion gives you a pleasant experience in the BuzziSpark, providing the ultimate backdrop to unwind. The seating cushion always comes in the same colors as the shield cushion.

Frame



The metal frame is what holds the body of BuzziSpark together. It ensures a firm support to all the components. The frame comes in a black, powder coated structure, attracting just the right attention without stealing the spotlight from the individual elements.

Options

Comfort armrest cushions



If you want to add extra comfort to your BuzziSpark, you can supplement the existing layout with two armrest cushions, one in each side. These come in the same color as the comfort back cushion and are also offered with an optional anti-theft set.

W 55 cm H 38 cm D 16 cm
W 21.65" H 14.96" D 6.30"

Decorative cushions



Customize your BuzziSpark even further with decorative cushions for additional comfort. Play with contrasting colors to create an eye-catching setup that will make everyone turn around.

W 40 cm H 40cm D 13 cm
W 15.75" H 15.75" D 5.12"

Fabrics

⚠ Not all fabrics are available for every product.
Please check below in what fabric you can order your product.

Shields available in: Fabric, Rough, Trevira CS+ | CS, Clara 2, Velvet, Terra, Hero, Tonus 4, Tonus Meadow, Memory 2 or Matrix

Cushions available in: Fabric, Rough, Trevira CS+ | CS, Revive 1, Revive 2, Terra, Clara 2, Remix 2, Velvet, Hero, Tonus 4, Tonus Meadow, Memory 2 or Matrix, Leather Vegetal

Fabric



Category A

Composition 70% Recycled Wool, 25% Recycled Polyacryl,
5% Recycled Other Fabrics

Weight 405 g/m² | 11.94 oz/yd²

Abrasion resistance 40.000 Martindale, 50,000 Wyzenbeek

Flammability EU: EN 1021.1/2006 | BS EN 1021.1/2006 (cigarette).
EN 1021.2/2006 | BS EN 1021.2/2006 (match)
USA: CAL TB 117 | ASTM E84 CLASS A

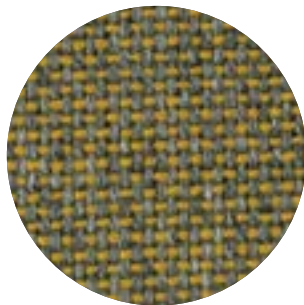
Fastness to light EU: 4 | USA 4

Fastness to rubbing EU: Wet 3-4 | Dry 4-5

Fastness to crocking USA: Wet 5 | Dry 5



Rough



Category A

Composition 100% Polyacryl

Weight 456 g/m² | 13.45 oz/yd²

Abrasion resistance 40.000 Martindale

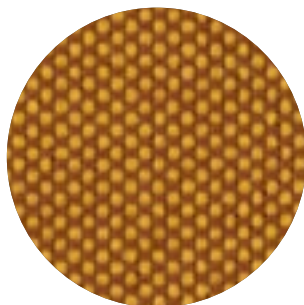
Flammability EU: EN 1021.1/2006 | BS EN 1021.1/2006 (cigarette)
USA: CAL TB TB 117

Fastness to light EU: 5

Fastness to rubbing EU: Wet: 3 | Dry: 3



Trevira CS+ | CS



Category A

Weight 420 g/m² | 12.39 oz/yd²

Composition 100% Polyester, Trevira CS

Abrasion resistance 100.000 Martindale, 90,000 Wyzenbeek

Flammability BS 5852 part II: CRIB 5 | BS 7176 Medium Hazard
USA: CAL TB 117 | M1 | B1 | EN 1021/1-2 | C1 |
IMO Res. A652 (16)

Fastness to light EU: 6 | USA 5

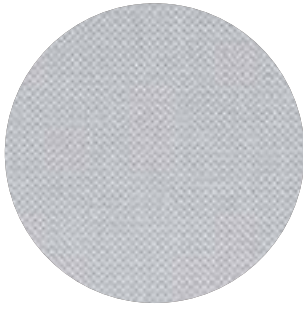
Fastness to rubbing EU: Wet 4-5 | Dry 4-5

Fastness to crocking USA: Wet 5 | Dry 5



Revive 1

kvadrat



Category A

Composition 100% recycled polyester FR

Weight 430 g/lin.m

Abrasion resistance 60.000 Martindale rubs, EN ISO 12947

Flammability EN 1021-1/2 | DIN 4102 B1 | Önorm B1/Q1

UNI 9175 11M | US Cal. Tech. Bull. 117

IMO A.652 (16)

Fastness to light Note 5-7, ISO 105-B02

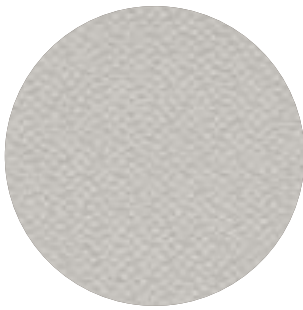
Fastness to rubbing (ISO) dry 5, wet 4-5

Pilling Note 4-5, EN ISO 12945



Revive 2

kvadrat



Category A

Composition 100% recycled polyester FR

Weight 420 g/lin.m

Abrasion resistance 45.000 Martindale rubs, EN ISO 12947

Flammability EN 1021-1/2 | DIN 4102 B1 | Önorm B1/Q1

UNI 9175 11M | US Cal. Tech. Bull. 117

IMO A.652 (16)

Fastness to light Note 5-7, ISO 105-B02

Fastness to rubbing (ISO) dry 5, wet 4-5

Pilling Note 4-5, EN ISO 12945



Velvet



Category B

Composition 100% PES

Weight 375 g/m² | 11.06 oz/yd²

Abrasion resistance > 100.000 Martindale

Fastness to light EU: 4-5

Fastness to rubbing EU: Wet 4 | Dry 4-5

Pilling EU: 4-5

Terra



Category B

Composition 100% Pure New Wool

Weight 370 g/m² | 10.91 oz/yd²

Abrasion resistance 40.000 Martindale, 25,000 Wyzenbeek

Flammability EU: BS5852 CRIB 5 | BS5867 PART 2 : 2008 : TYPE B

EN: 1021.2/2006 | USA: CAL TB 117

Fastness to light EU 5 | USA 5

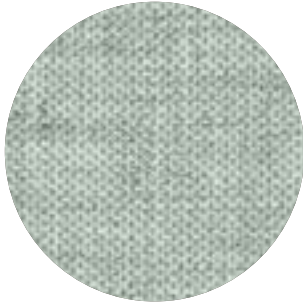
Fastness to rubbing EU: Wet 4 | Dry 4

Fastness to crocking USA: Wet 4 | Dry 4



Clara 2

kvadrat



Category B

Composition 92% new wool, 8% nylon

Weight 400 g/lin.m

Abrasion resistance 80.000 Martindale rubs, EN ISO 12947

Flammability EN 1021-1/2 | BS 5852, ignition source 2-3 | DIN 4102 B2
NF D 60 013 | UNI 9175 1IM | US Cal. Tech. Bull. 117, Sec. E
NFPA 260 | IMO A.652(16)

Fastness to light Note 5-7, ISO 105-B02

Fastness to rubbing (ISO) dry 4-5, wet 4

Pilling Note 4, EN ISO 12945



Remix 2

kvadrat



Category B

Composition 90% new wool, 10% nylon

Weight 415 g/lin.m

Abrasion resistance 100.000 Martindale rubs, EN ISO 12947

Flammability EN 1021-1/2 | BS 5852 part 1
Önorm B1/Q1 | NF D 60 013 | UNI 9175, 1IM
AS/NZS 1530.3 | Cal. Tech. Bull. 117-2013
NFPA 260 | IMO FTP Code 2010:Part 8

Fastness to light Note 5-7, ISO 105-B02

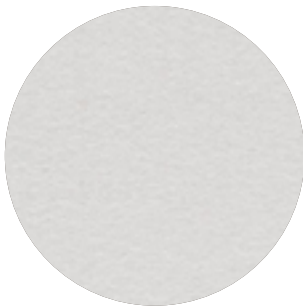
Fastness to rubbing (ISO) dry 4-5, wet 4

Pilling Note 4, EN ISO 12945



Hero

kvadrat



Category C

Composition 96% new wool, 4% nylon

Weight 580 g/lin.m

Abrasion resistance 45.000 Martindale rubs, EN ISO 12947

Flammability EN 1021-1/2 | DIN 4102 B2 | NF D 60 013
UNI 9175 1IM | US Cal. Bull. 117-2013 | NFPA 260
IMO A.652 (16)

Fastness to light Note 5-6, ISO 105-B02

Fastness to rubbing (ISO) dry 4-5, wet 4-5

Pilling Note 3-4, EN ISO 12945



Tonus 4

kvadrat



Category D

Composition 90% new wool, 10% Helanca

Weight 665 g/lin.m

Abrasion resistance 100.000 Martindale rubs, EN ISO 12947

Flammability EN 1021-1/2 | BS 5852 part 1 | DIN 4102 B2
Önorm B1/Q1 | NF D 60 013 | UNI 9175 1IM
US Cal. Bull. 117-2013 | NFPA 260 | IMO A.652 (16)

Fastness to light Note 5-7, ISO 105-B02

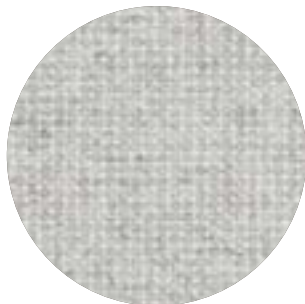
Fastness to rubbing (ISO) dry 3-5, wet 3-5

Pilling Note 3, EN ISO 12945



Tonus Meadow

kvadrat



Category D

Composition 90% new wool, 10% Helanca

Weight 665 g/lin.m

Abrasion resistance 100.000 Martindale rubs, EN ISO 12947

Flammability EN 1021-1/2 | BS 5852 part 1 | DIN 4102 B2

Önorm B1/Q1 | NF D 60 013 | UNI 9175 11M

US Cal. Bull. 117-2013 | NFPA 260 | IMO A.652 (16)

Fastness to light Note 5-7, ISO 105-B02

Fastness to rubbing (ISO) dry 4-5, wet 4

Pilling Note 3, EN ISO 12945



Memory 2

kvadrat



Category E

Composition 100% Trevira CS

Weight 700 g/lin.m

Abrasion resistance

35.000 rubs acc. to the Martindale method, EN ISO 12947

Flammability EN 1021-1/2 | DIN 4102 B1 | Önorm B1/Q1

NF D 60 013 | NF P 92 507 M1 | UNI 9175 11M

UNI 9177 classe 1 | US Cal. Tech. Bull. 117

IMO A.652 (16)

Fastness to light Note 5-8, ISO 105-B02

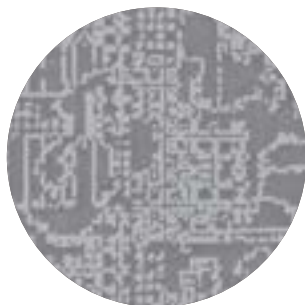
Fastness to rubbing (ISO) dry 4-5, wet 4-5

Pilling Note 4, EN ISO 12945



Matrix

kvadrat



Category F

Composition 100% Trevira CS

Weight 760 g/lin.m

Abrasion resistance

App. 60.000 rubs acc. to the Martindale method, EN ISO 12947

Flammability EN 1021-1/2 | BS 5852 crib 5 | BS 5867 part 2 type B

DIN 4102 B1 | Önorm B1/Q1 | NF D 60 013

UNI 9175 11M | US Cal. Tech. Bull. 117 | NFPA 701

IMO A.652 (16)

Fastness to light Note 5-7, ISO 105-B02

Fastness to rubbing (ISO) dry 4-5, wet 4-5

Pilling Note 4, EN ISO 12945



Leather Vegetal



Raw material Scandinavian Bullhides

Surface Pure Aniline

Flammability EU: EN 1021.1 - BS5852 PART 1 (cigarette)

EN 1021.2 - BS5852 PART 1 (match)

USA: CAL TB 117

Fastness to light EU: 3 Blue Scale (72h exposition)

Fastness to rubbing EU: Wet: 20 cycles/3 | Dry: 50 cycles/3

Sweat: 20 cycles/3

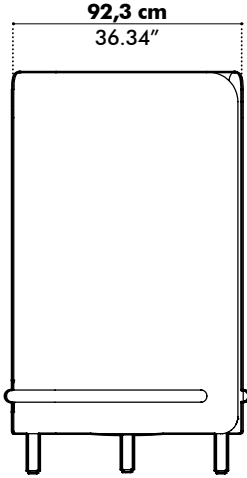
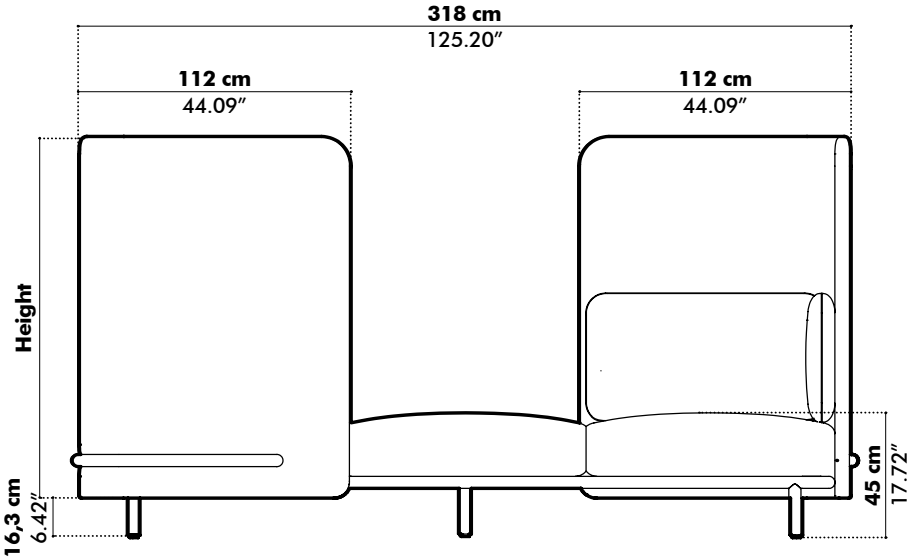
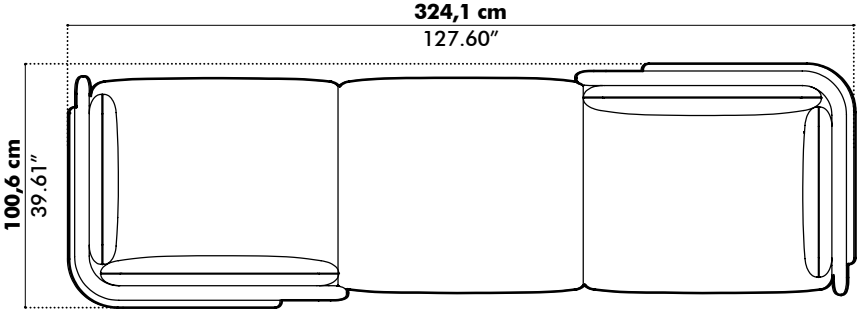
Streight Tear resistance: >20N or 10N/mm thickness

Tensile: >20N/mm²

Elongation: 40-70%

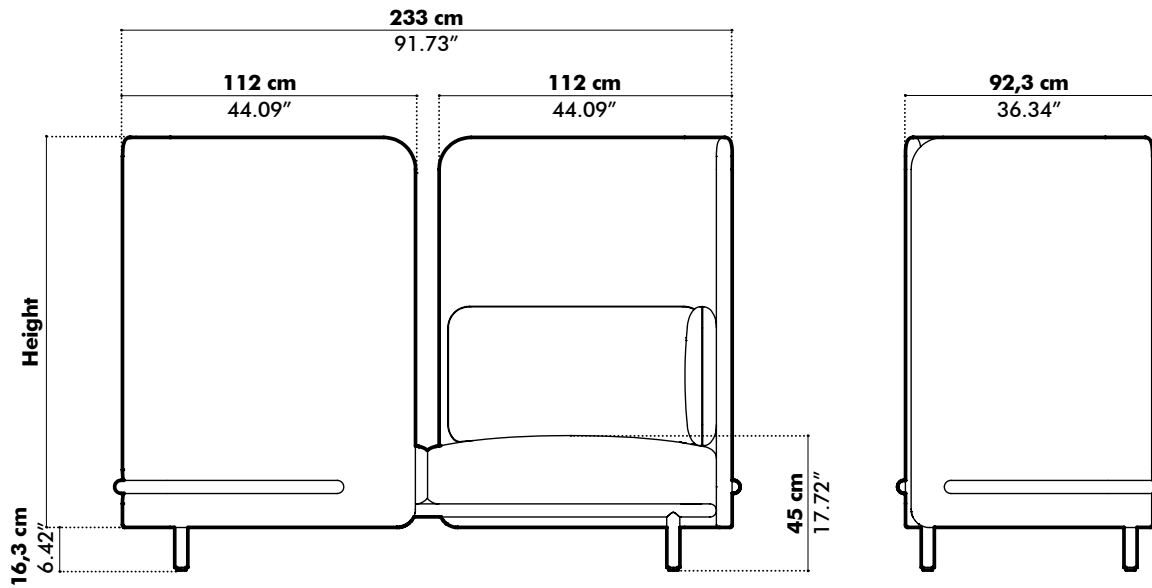
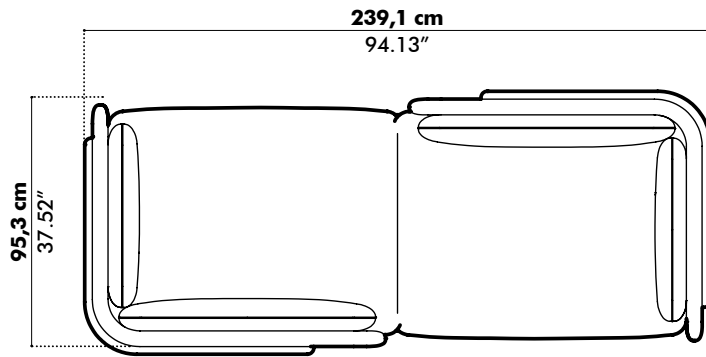
Dimensions

Original AG103



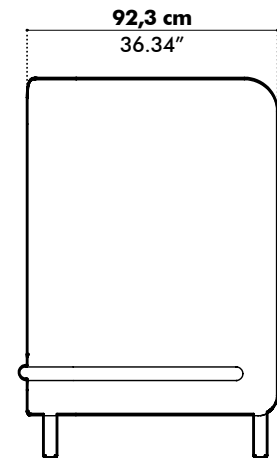
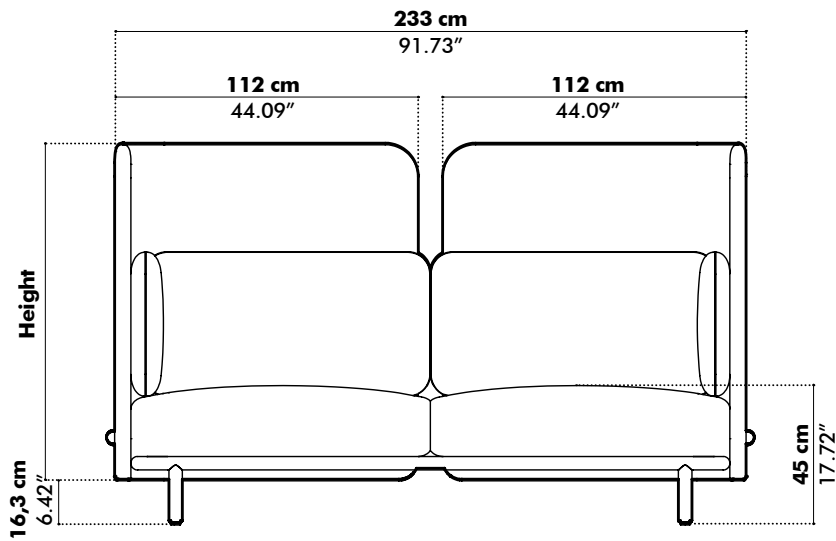
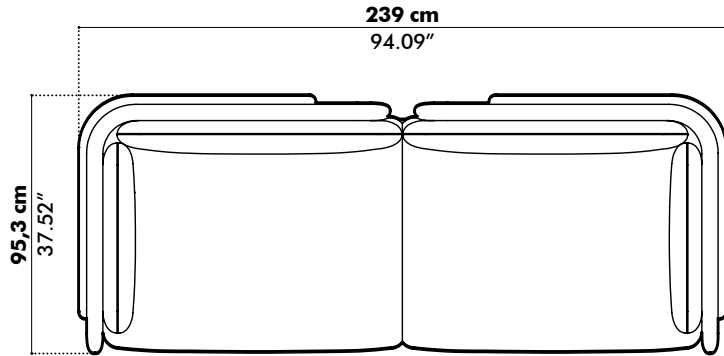
Height	Medium Shield	124 cm 48.22"
	High Shield	149 cm 58.66"

Original AG102



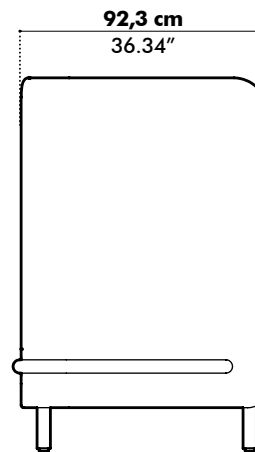
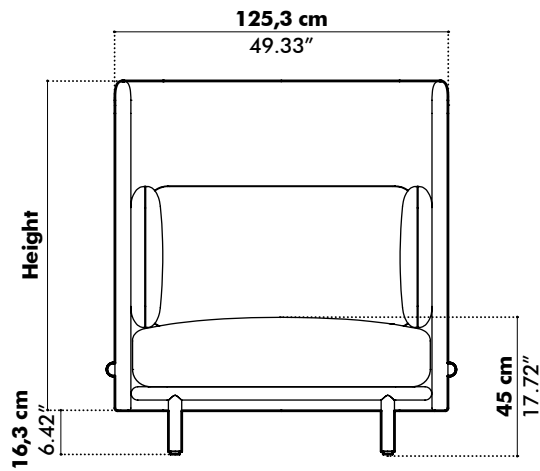
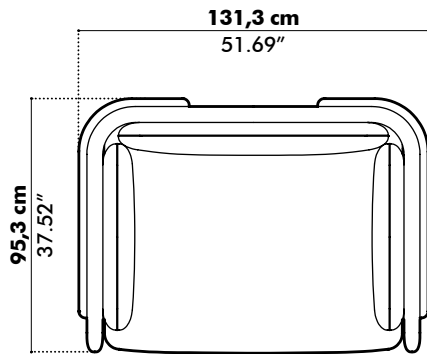
Height	Medium Shield	124 cm 48.22"
	High Shield	149 cm 58.66"

Sofa AG112



Height	Medium Shield	124 cm 48.22"
	High Shield	149 cm 58.66"

Sofa AG111

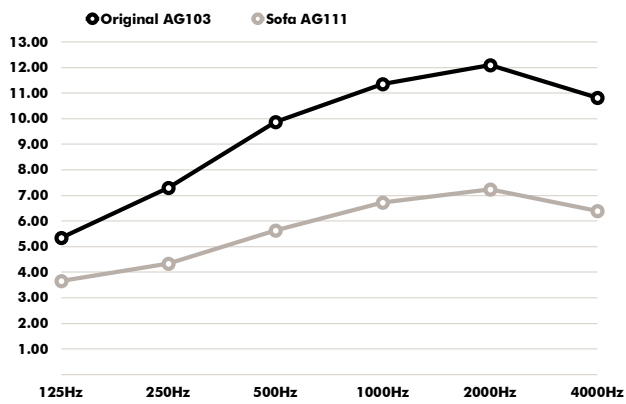


Height	Medium Shield	124 cm 48.82"
	High Shield	149 cm 58.66"

Acoustics

BuzziSpark Original AG 103

Equivalent sound absorption area in m² per object



Hz	Original AG103 Aeq/m ²	Sofa AG111 Aeq/m ²
125	5.34	3.65
250	7.31	4.34
500	9.87	5.64
1000	11.36	6.73
2000	12.09	7.23
4000	10.82	6.40